

Preference of Professionals

CamBox®

CamBox Comfort 811 Junction Box



Security Camera Junction Box
Access Cover to Lower Cables

MONO BODY

* Engineering Plastics Material

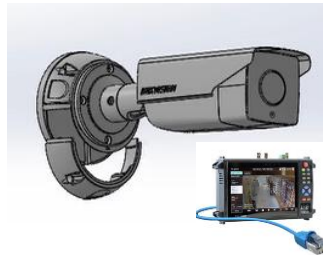
Strong Vs Material



[Product Video 1](#)



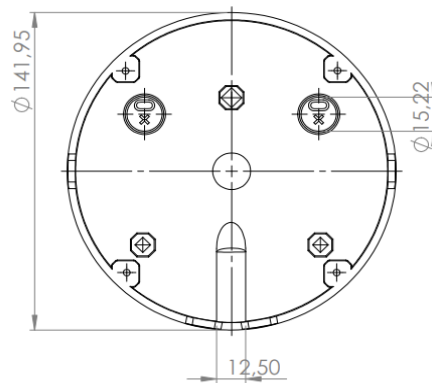
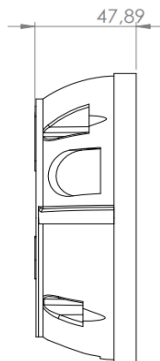
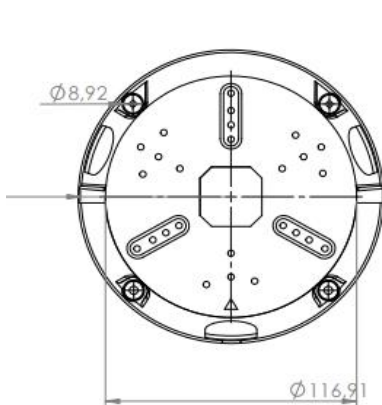
**Three Times
Faster
Installation**



ALL SURFACE **WALL CEILING AND POLE** Instalation Supports

811 Maximum Load Capacity is 1,5 Kg

Fully Compatible
St and Gt Series
Extensions



Suitable With All CamBox Accesories

CamBox
Engineering
Plastic