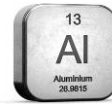
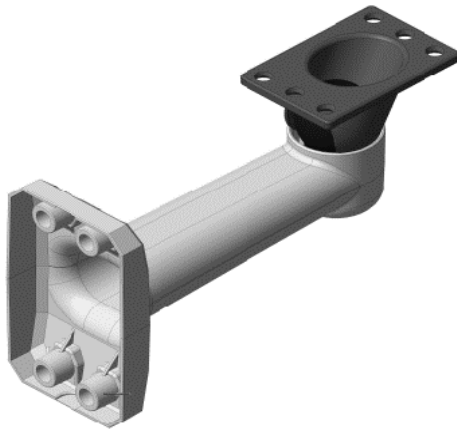


Preference of Professionals

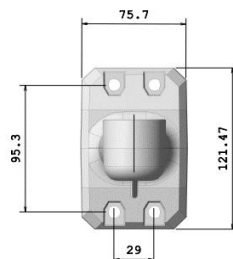
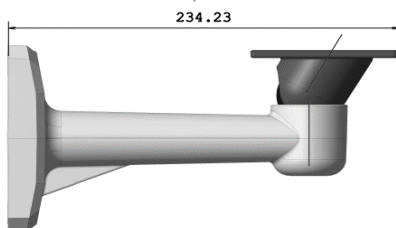
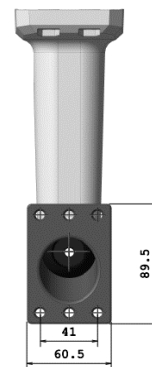
CamBox[®]
Cx-260

CamBox Cx-260 ALM BRACKET



TECHNICAL DETAILS

- + High Quality Camera Housing, Solar and Functional Bracket
- + Product' Dimension: 234mm
- + Material: Aluminum
- + Stainless
- + Weight: 500 - 650 gr



EAN CODE: 0655343461034

Suitable With All CamBox Accessories