



Preference of Professionals

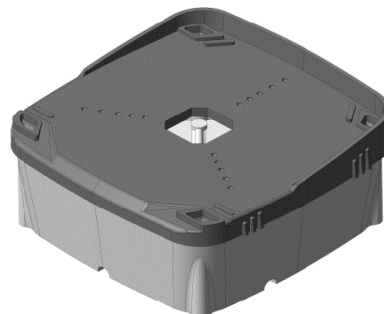
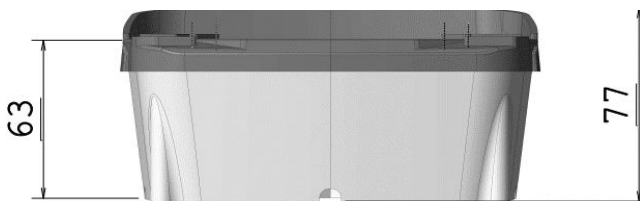
CamBox[®]
NX-120

CamBox NX-120 PRO WHT JUNCTION BOX



TECHNICAL DETAILS

- + High Quality Junction Box
- + Product Dimension: 145mmx145mmx50mm
- + Material: Engineering Plastic



EAN CODE:

Suitable With All CamBox Accesories

CamBox
Engineering
Plastic