

Preference of Professionals

CamBox®

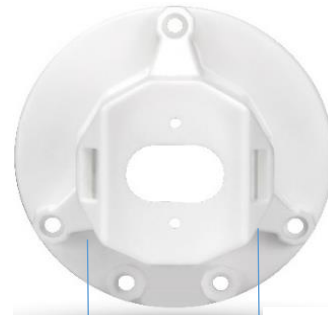
PM-200

## CamBox PM-200 BUKALEMUN BRACKET



### TECHNICAL DETAILS

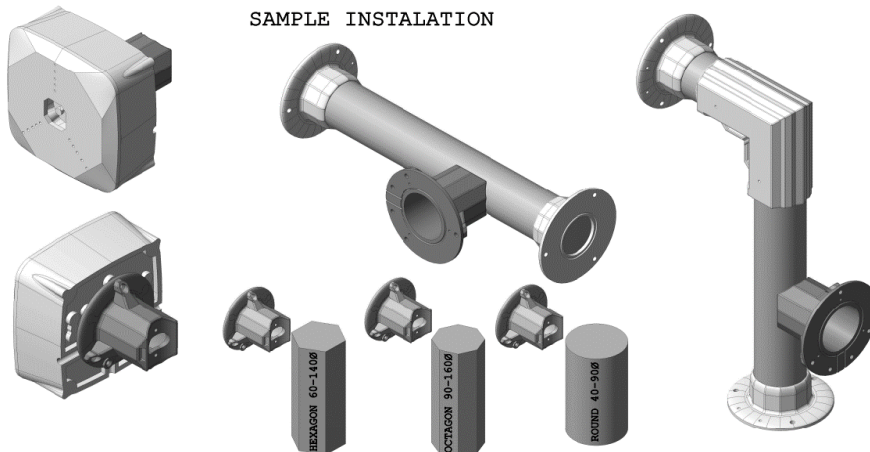
- + High Quality Bracket
- + Material: Engineering Plastic
- + Weight: 70-110 gr
- + Diameter: Ø101 mm



Supported Clamp



### SAMPLE INSTALATION



EAN CODE: 0655343460600

Suitable With All CamBox Accesories

CamBox  
Engineering  
Plastic