

Preference of Professionals

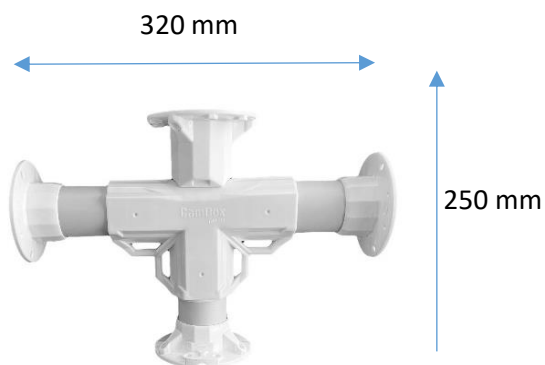
CamBox[®]
TNP-30

CamBox TNP-30 Bracket



TECHNICAL DETAILS

- + High Quality 3-Way Bracket
- + Montage Surface: 101mm x 2
- + Material: Engineering Plastic



EAN CODE: 3743114152025

Suitable With All CamBox Accesories

CamBox
Engineering
Plastic