

Preference of Professionals

CamBox®

CamBox Jet 703

Model
703



Very Fast Instalation Junction Box

Mono Block Body

Sliding Cover

* Engineering Plastics Material

Strong Vs Material



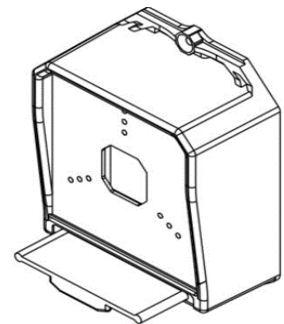
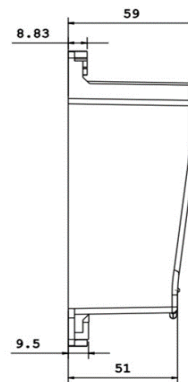
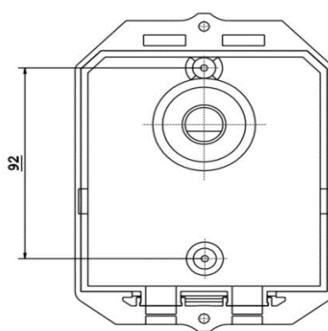
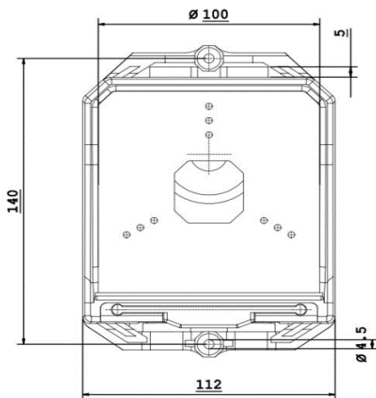
[Product Video 1](#)

Installation With Only 2 Screws

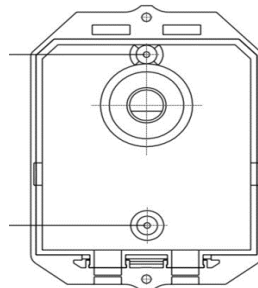
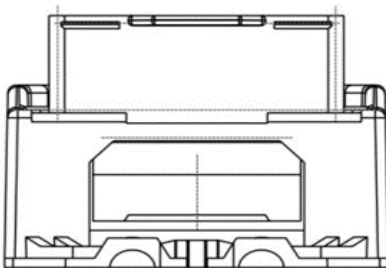
The World's Fastest Installation Box

Dimensions

100x140x59mm



Jet 703 Maximum Load Capacity is 3,5 Kg



Installation With Only 2 Screws

or

Only with Clamp

Suitable With All CamBox Accesories

CamBox

Engineering
Plastic